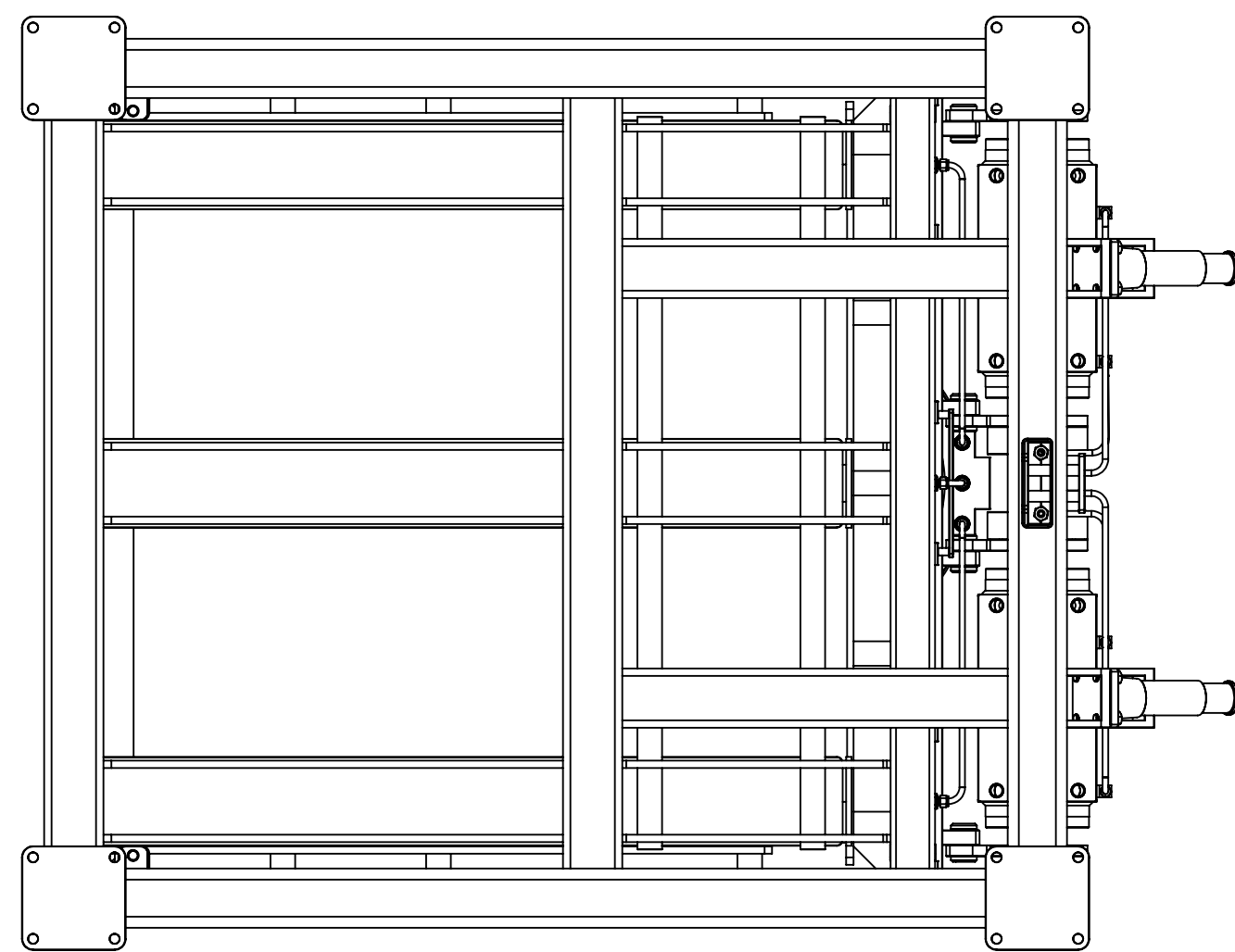
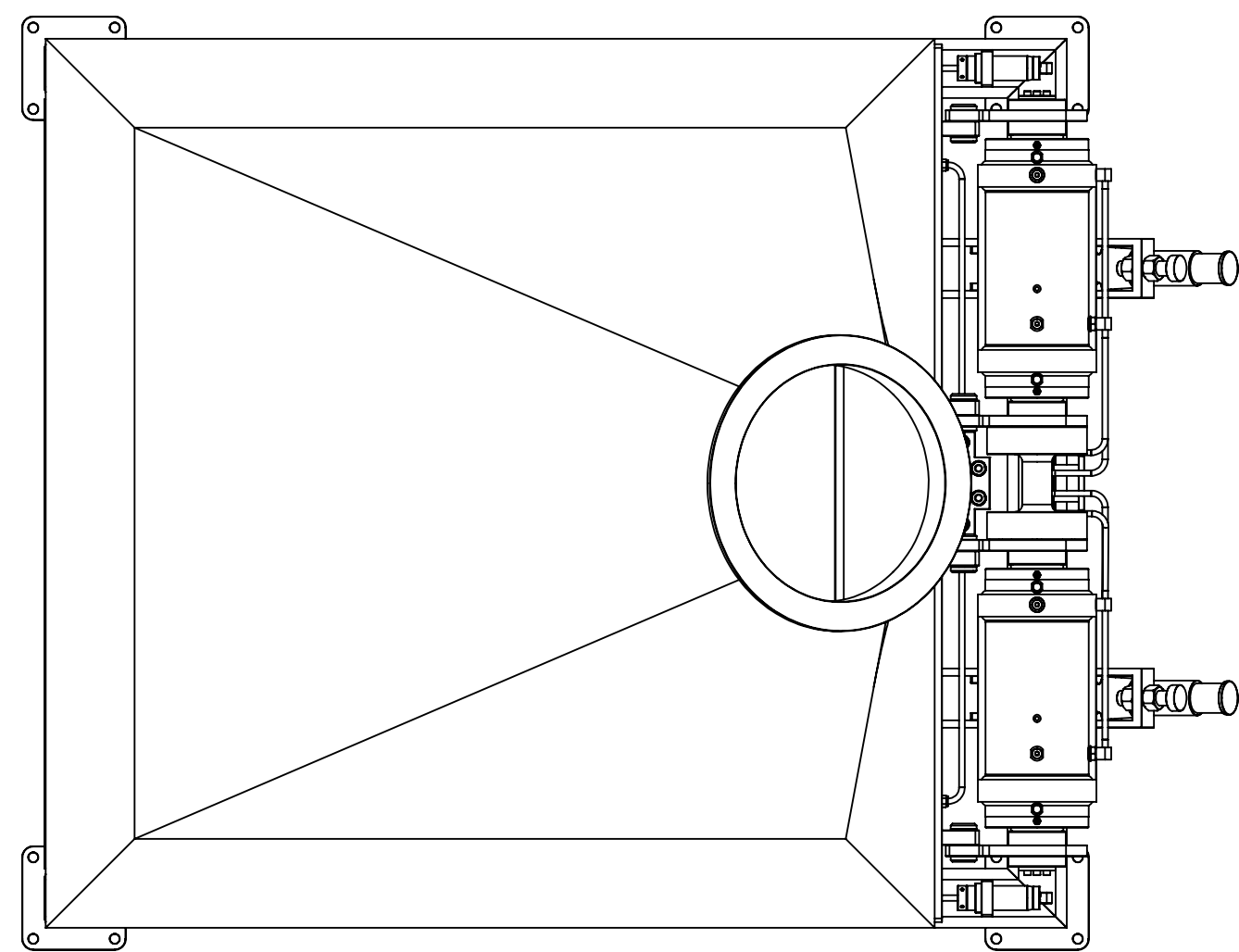
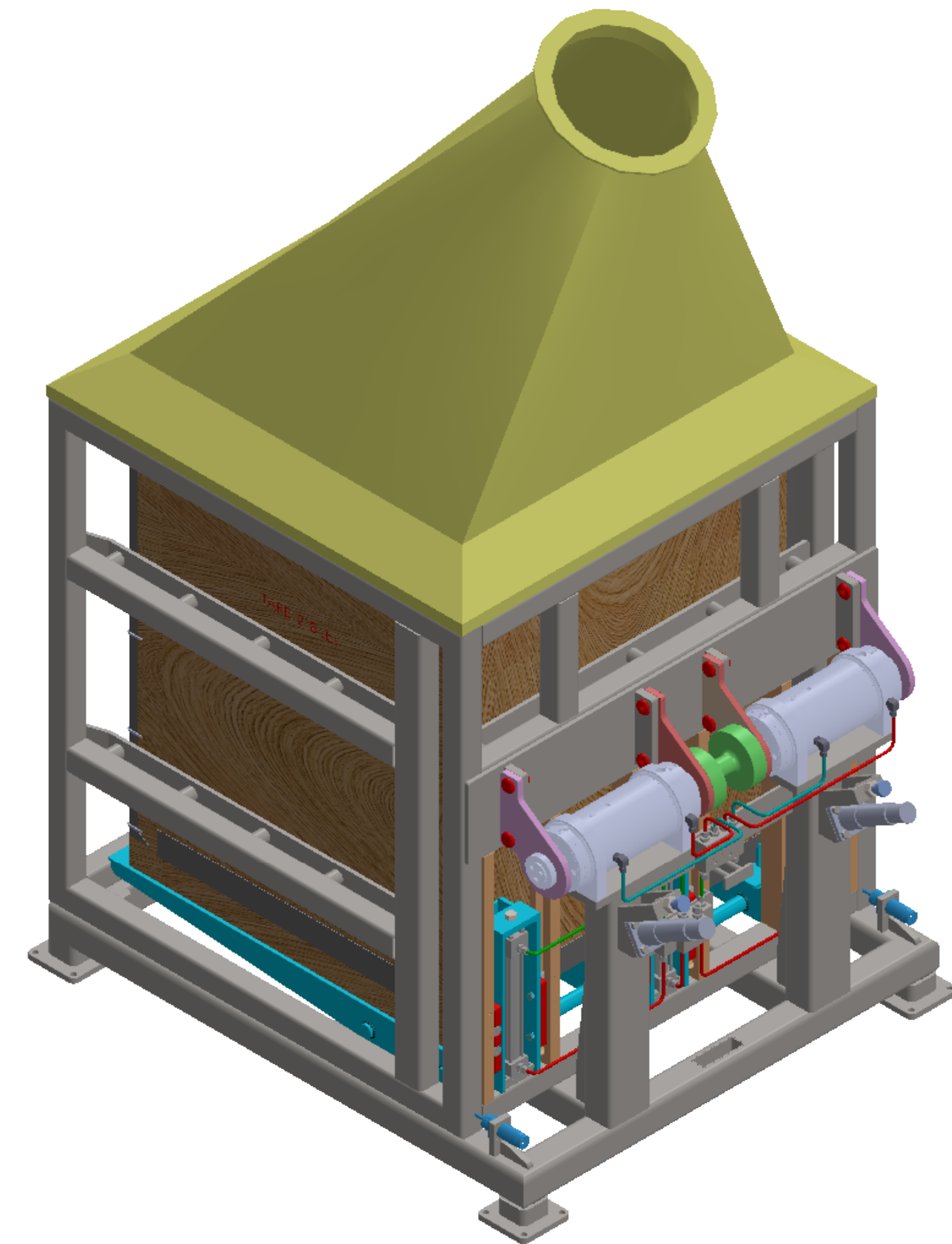
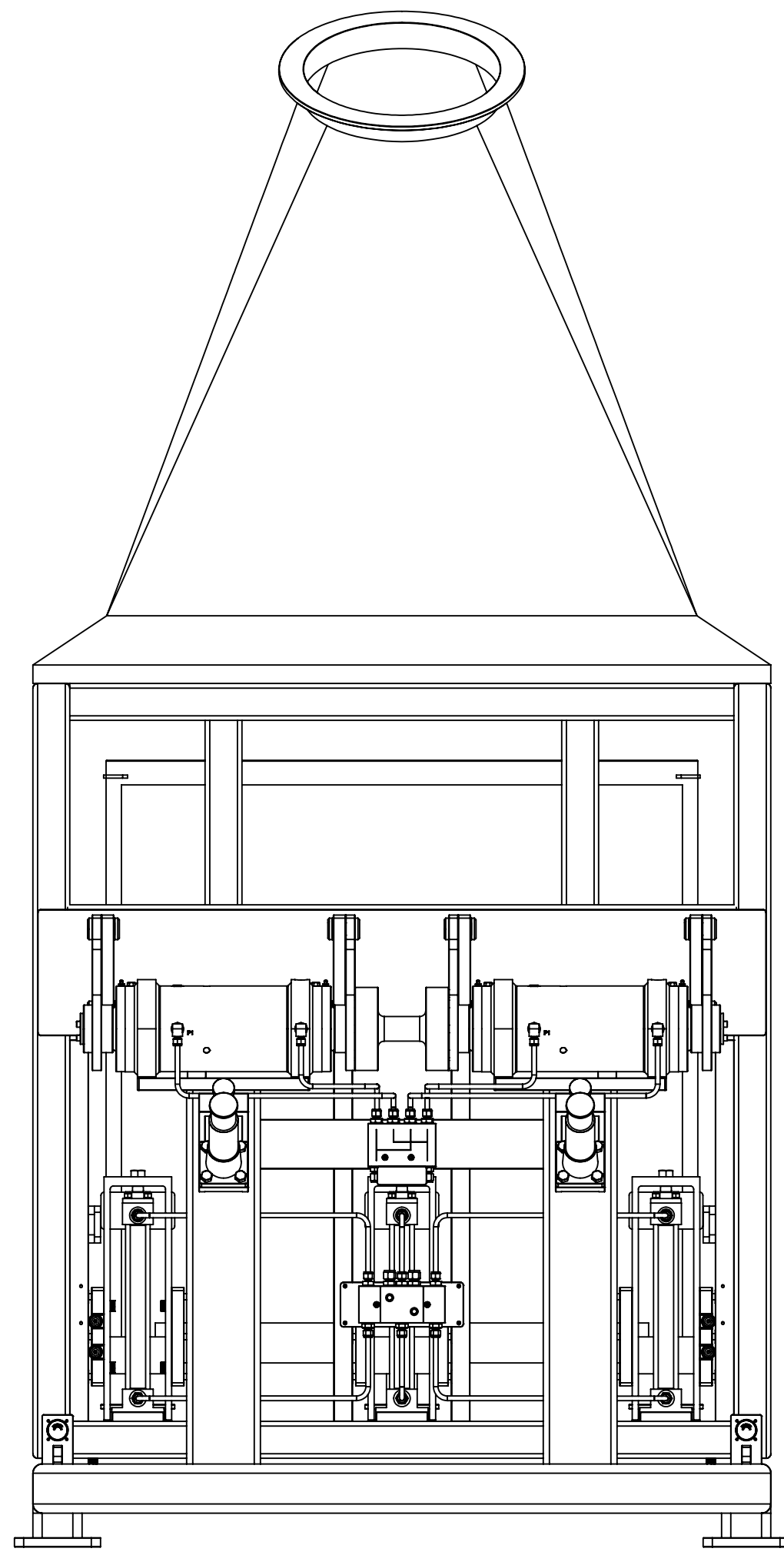
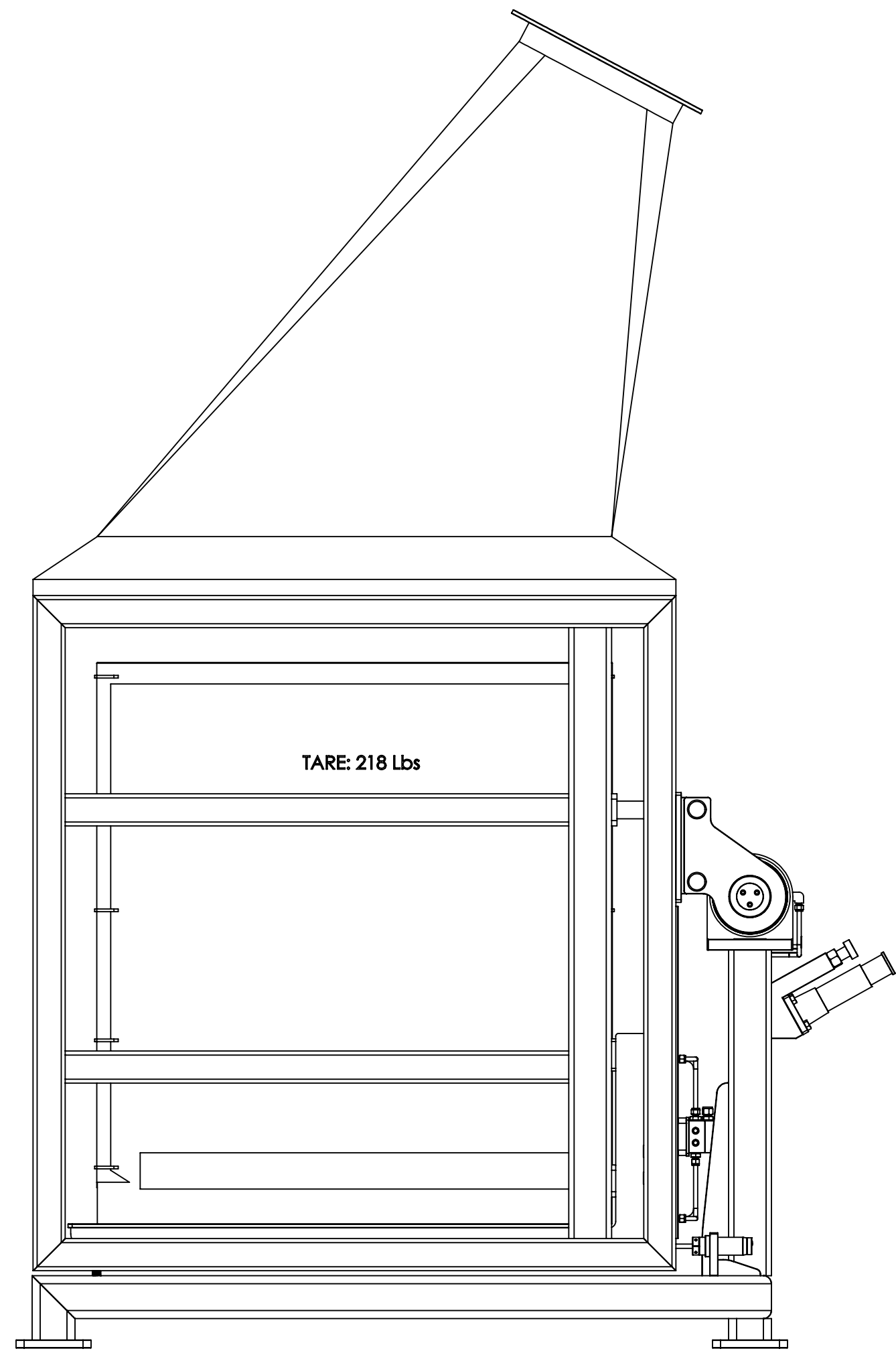


PROJECT QTY
TOTAL QTY



UNLESS OTHERWISE SPECIFIED
DRAWING IS IN INCHES AND
TOLERANCES ARE BELOW
.X: ±.030
.XX: ±.015
.XXX: ±.005
ANGULAR: ±1°

DRAWN BY:
JMA
DATE DRAWN:
02-02-2018

DESC:
**PACKAGING SYSTEMS
PRODUCT TRANSFER MACHINERY**

MATERIAL:
304 Stainless Steel

SHEET: 1 OF 1	SCALE:	DRAWING NUMBER: HYDRAULIC ROTATOR BIN DUMPER	SIZE: D	REVISION:
------------------	--------	---	-------------------	-----------