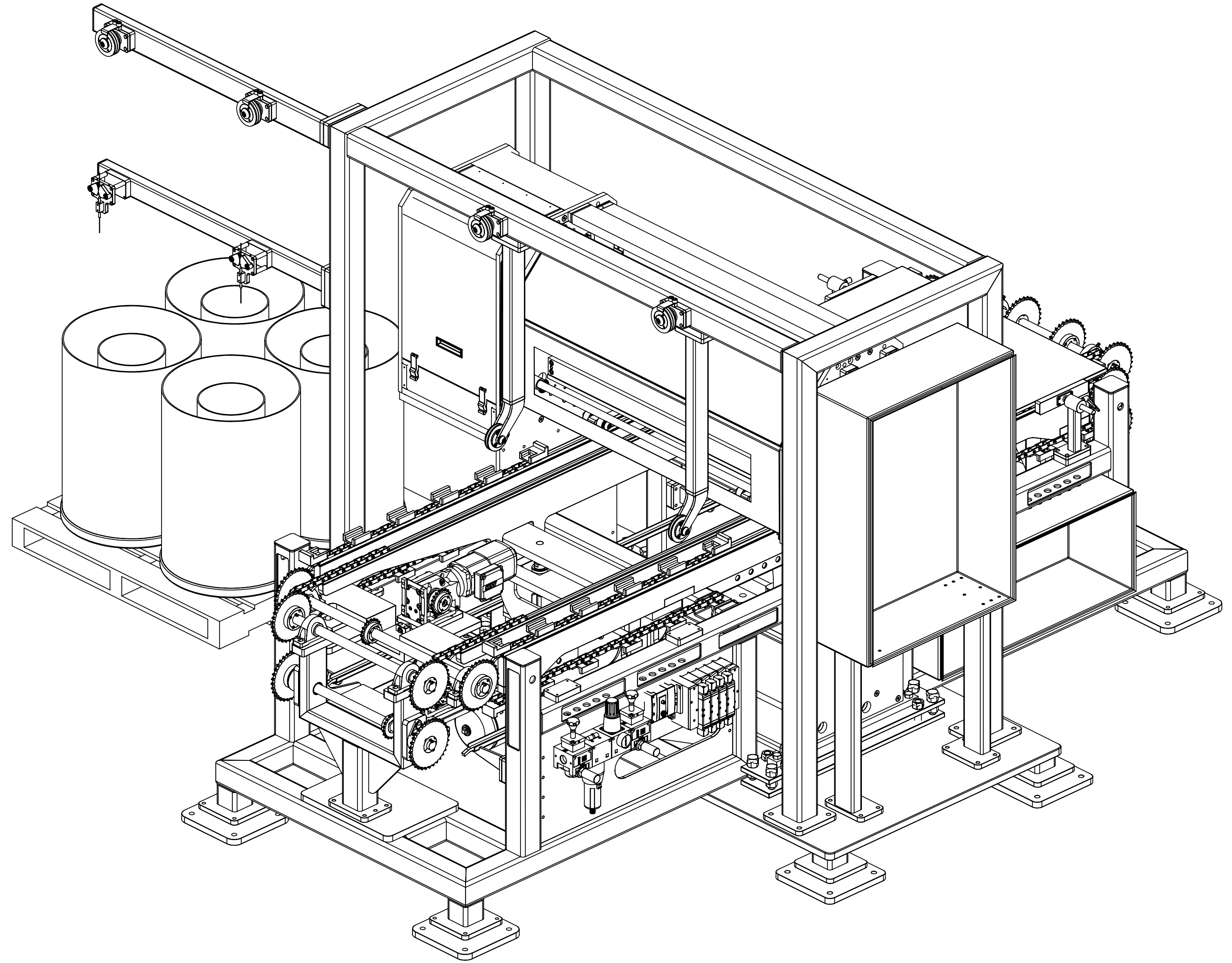
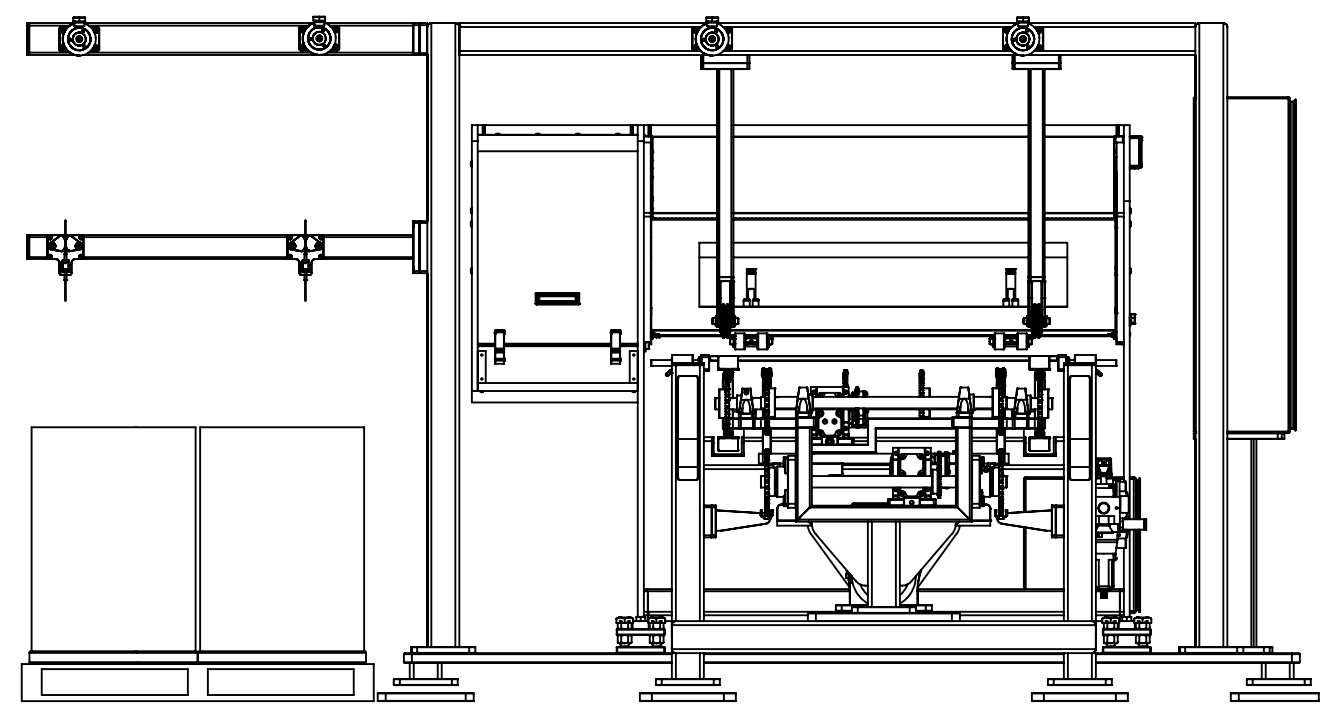
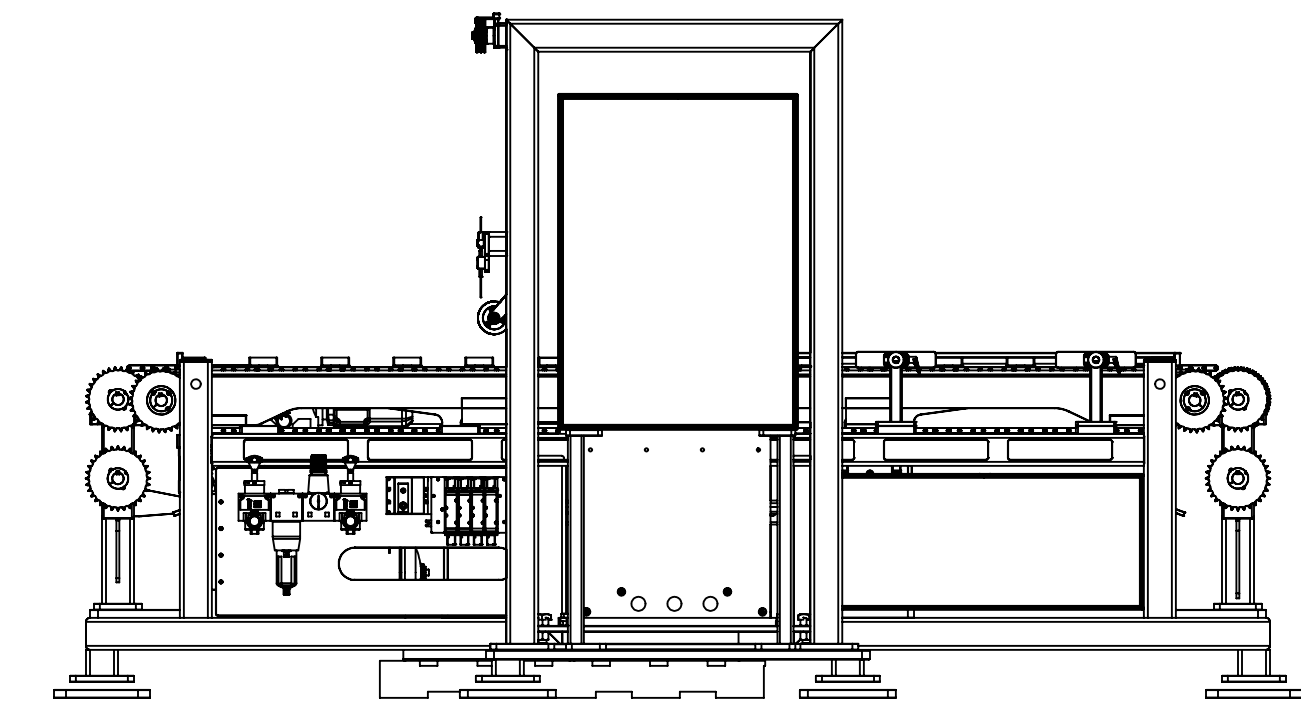
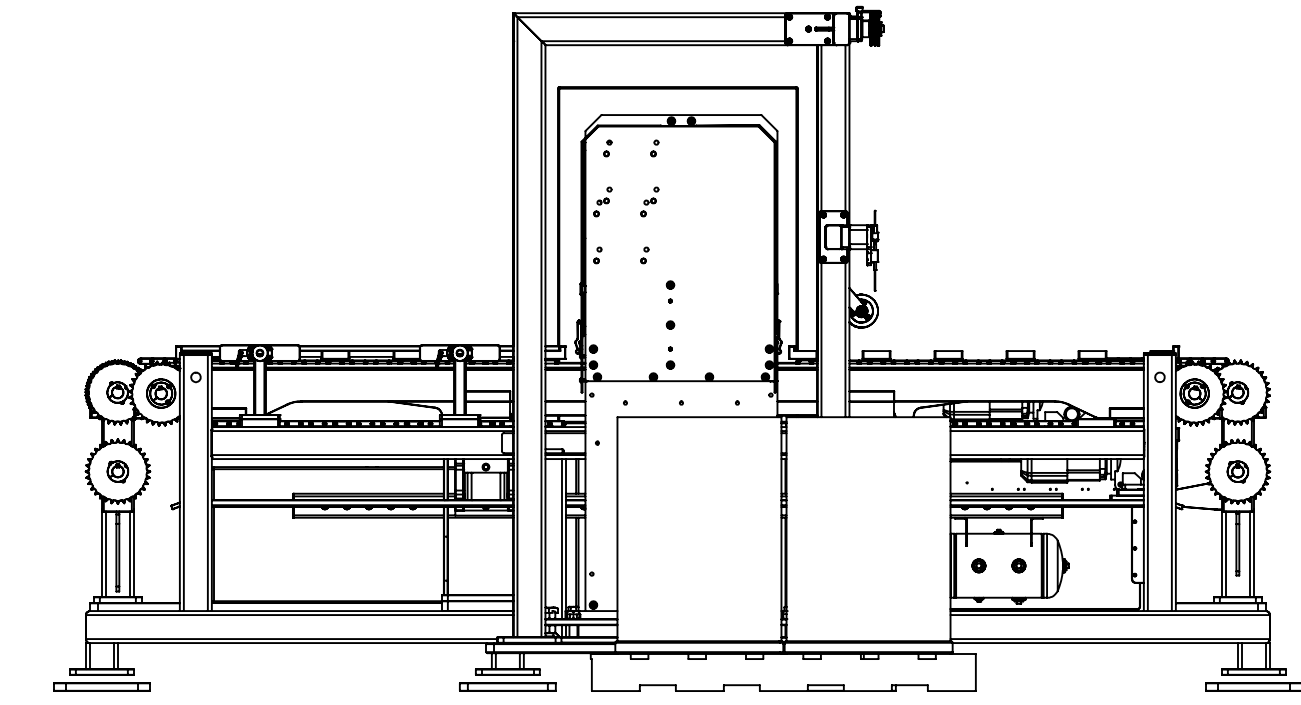


PROJECT QTY
TOTAL QTY



UNLESS OTHERWISE SPECIFIED
DRAWING IS IN INCHES AND
TOLERANCES ARE BELOW
.X: ±.030
.XX: ±.015
.XXX: ±.005
ANGULAR: ±1°

DRAWN BY:
JMA

DATE DRAWN:
03-17-2015

DESC: **PACKAGING SYSTEMS
AUTOMATIC WOOD STAPLING MACHINE**

MATERIAL:

SHEET:
1 OF 1

SCALE: DRAWING NUMBER:

SIZE: REVISION:
D