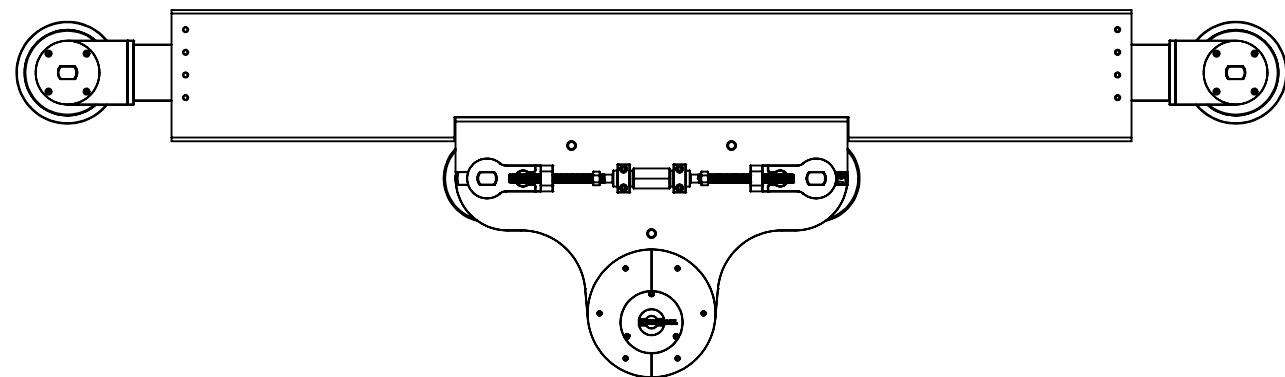
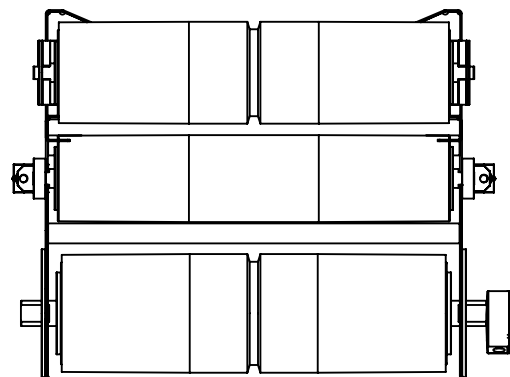
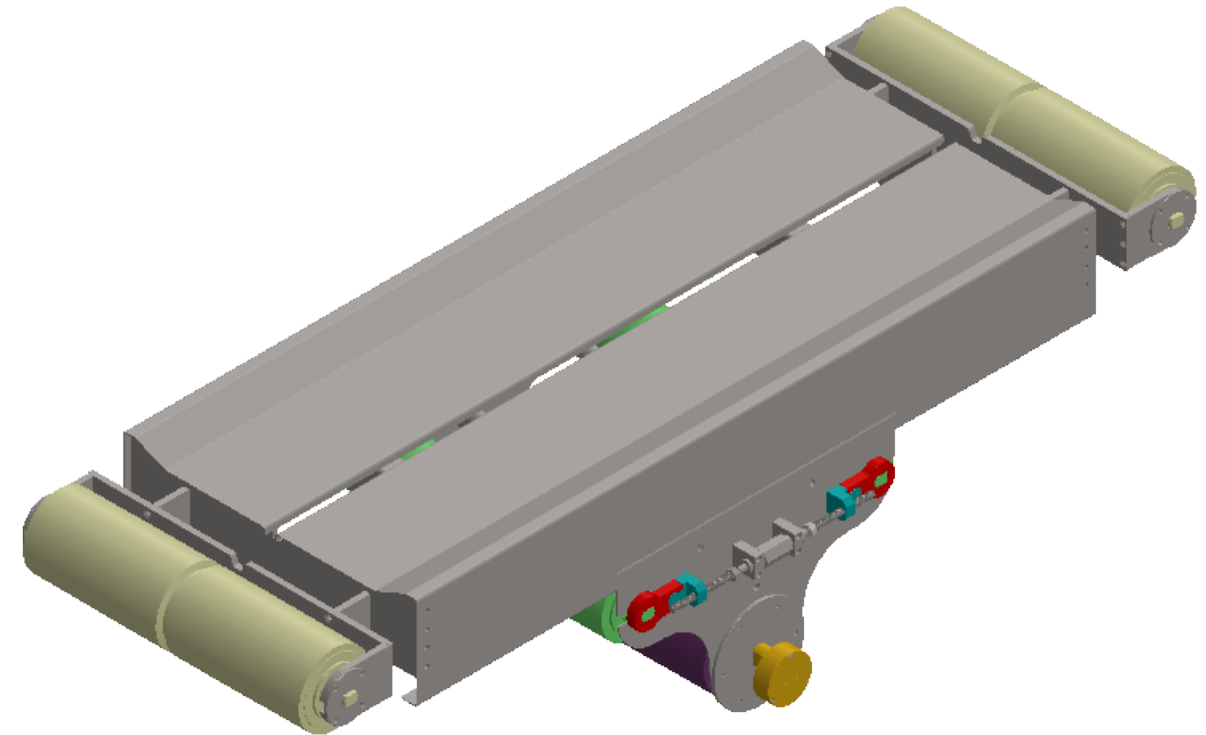
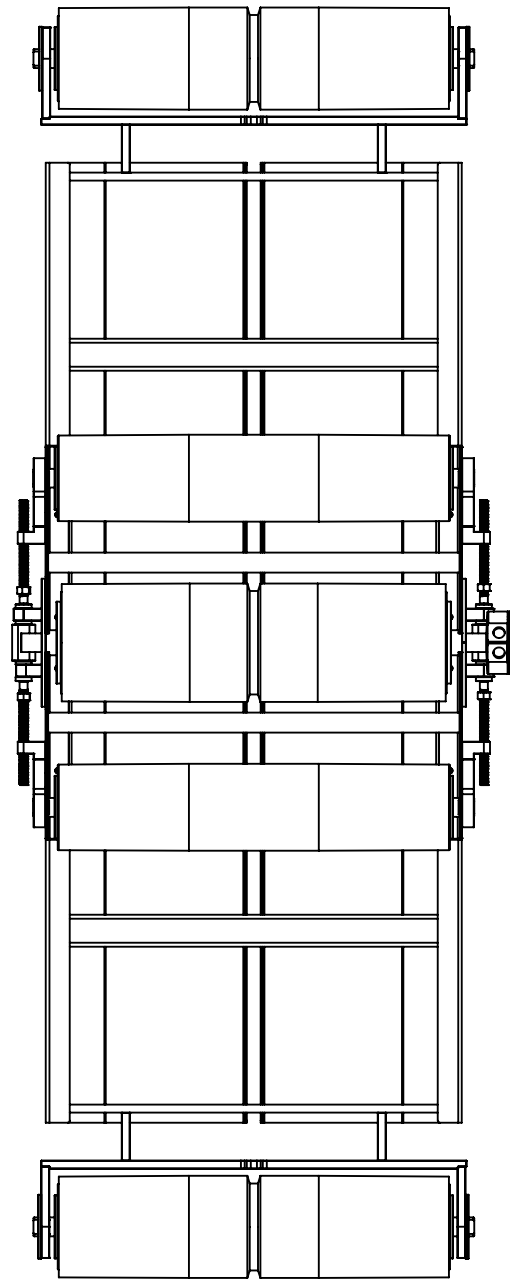


| |
|-------------|
| PROJECT QTY |
| TOTAL QTY |
| |



| | | | |
|--|------------------|--|----------------------|
| UNLESS OTHERWISE SPECIFIED DRAWING IS IN INCHES AND TOLERANCES ARE BELOW | | DESC: | |
| .X: ±.060 .XX: ±.030 .XXX: ±.005 ANGULAR: ±1° | | PACKAGING SYSTEMS PRODUCT TRANSFER MACHINERY | |
| DRAWN BY: JMA | | MATERIAL: 304 STAINLESS STEEL | |
| DATE DRAWN: 10-30-2017 | SHEET: 1 OF 1 | SCALE: DRAWING NUMBER: SEAMLESS BIDIRECTIONAL CONVEYOR | SIZE: REVISION: B |