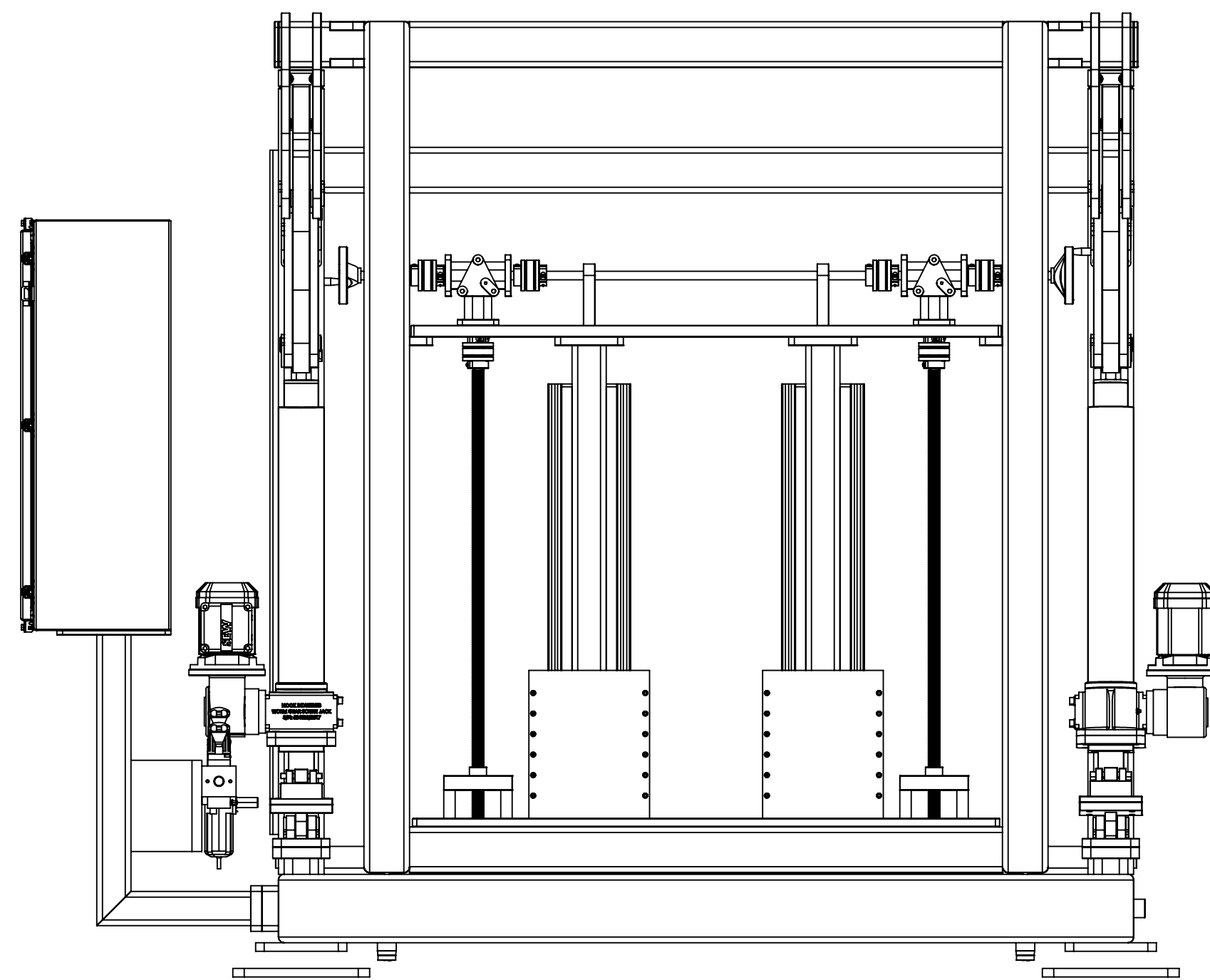
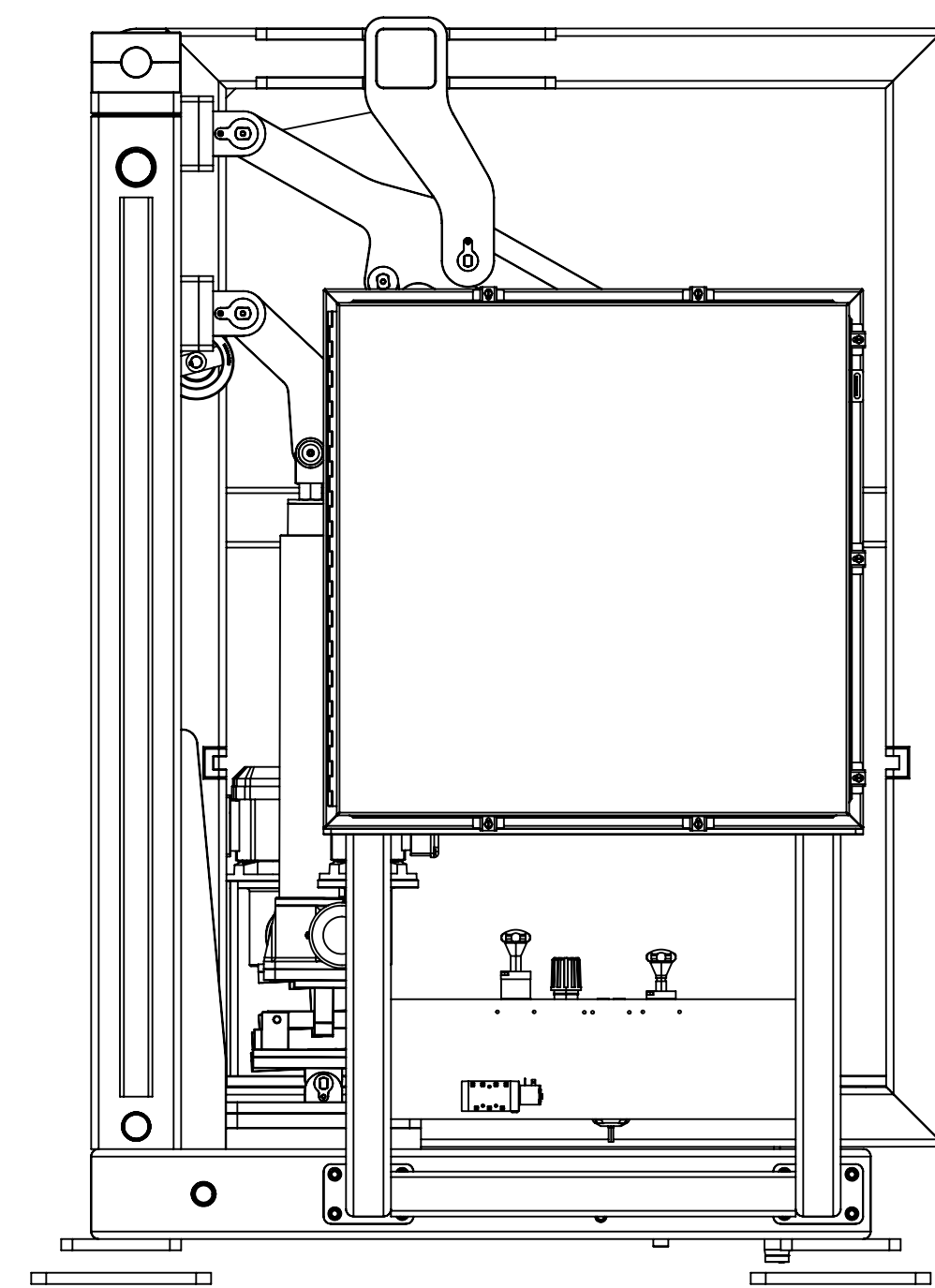
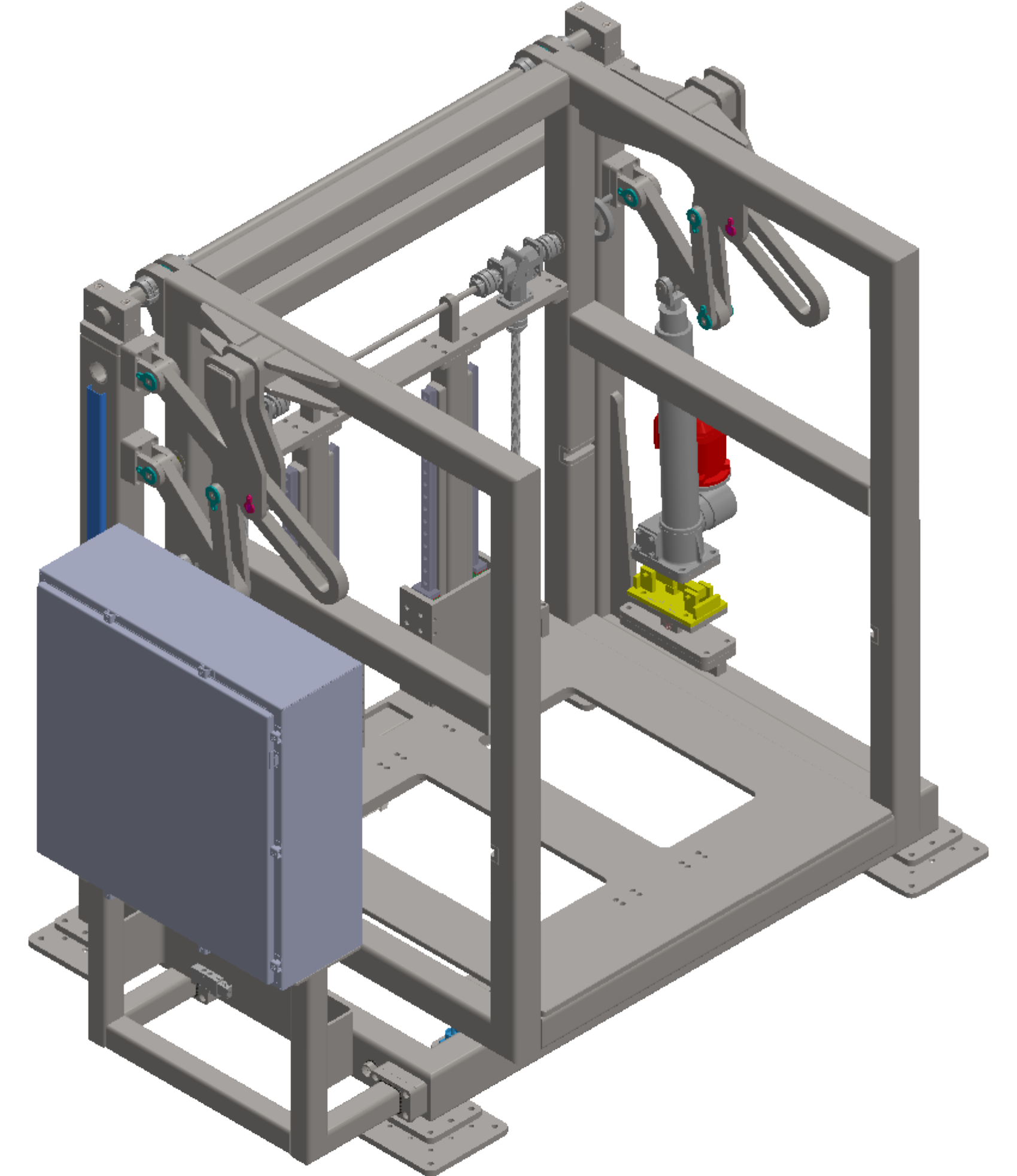
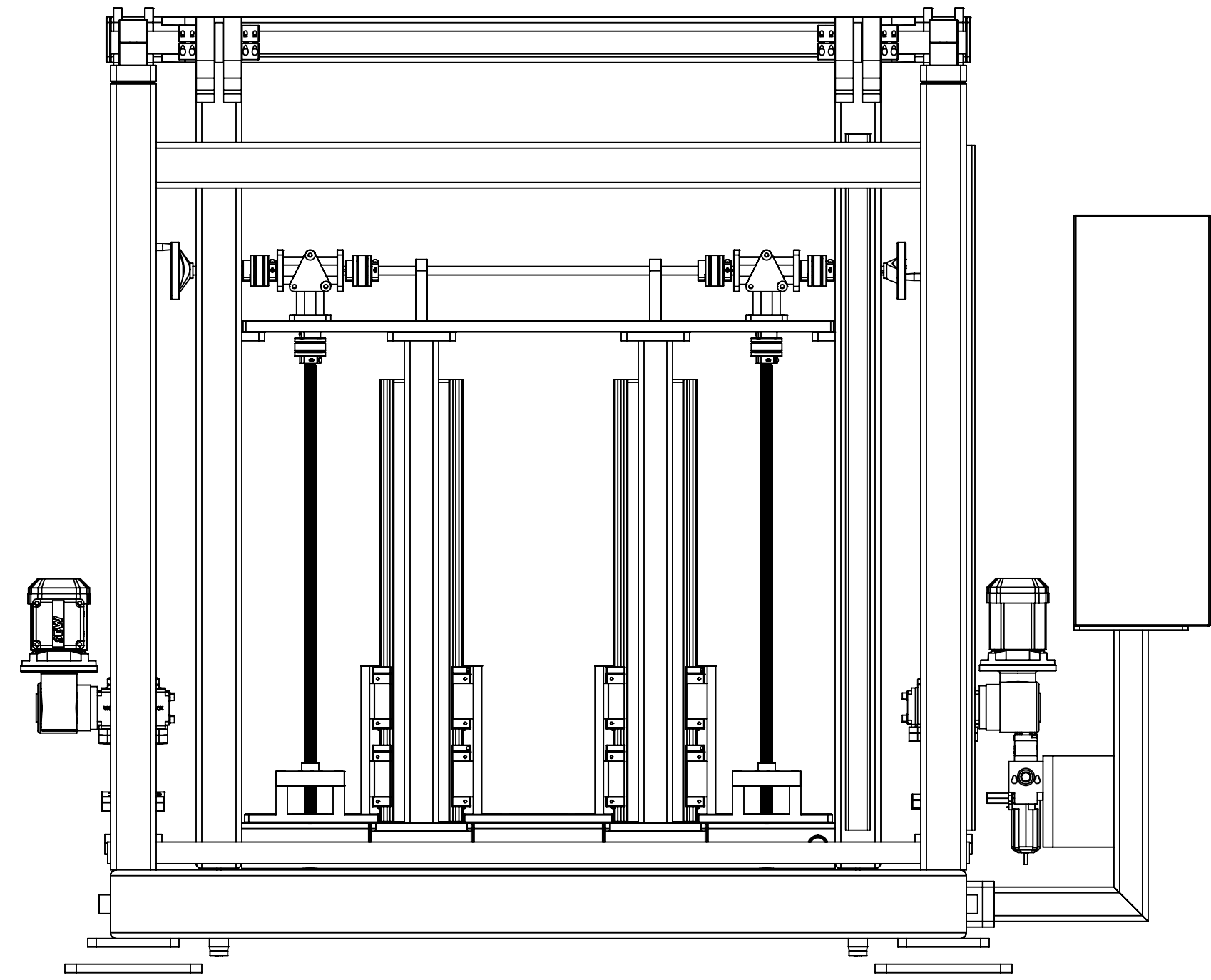
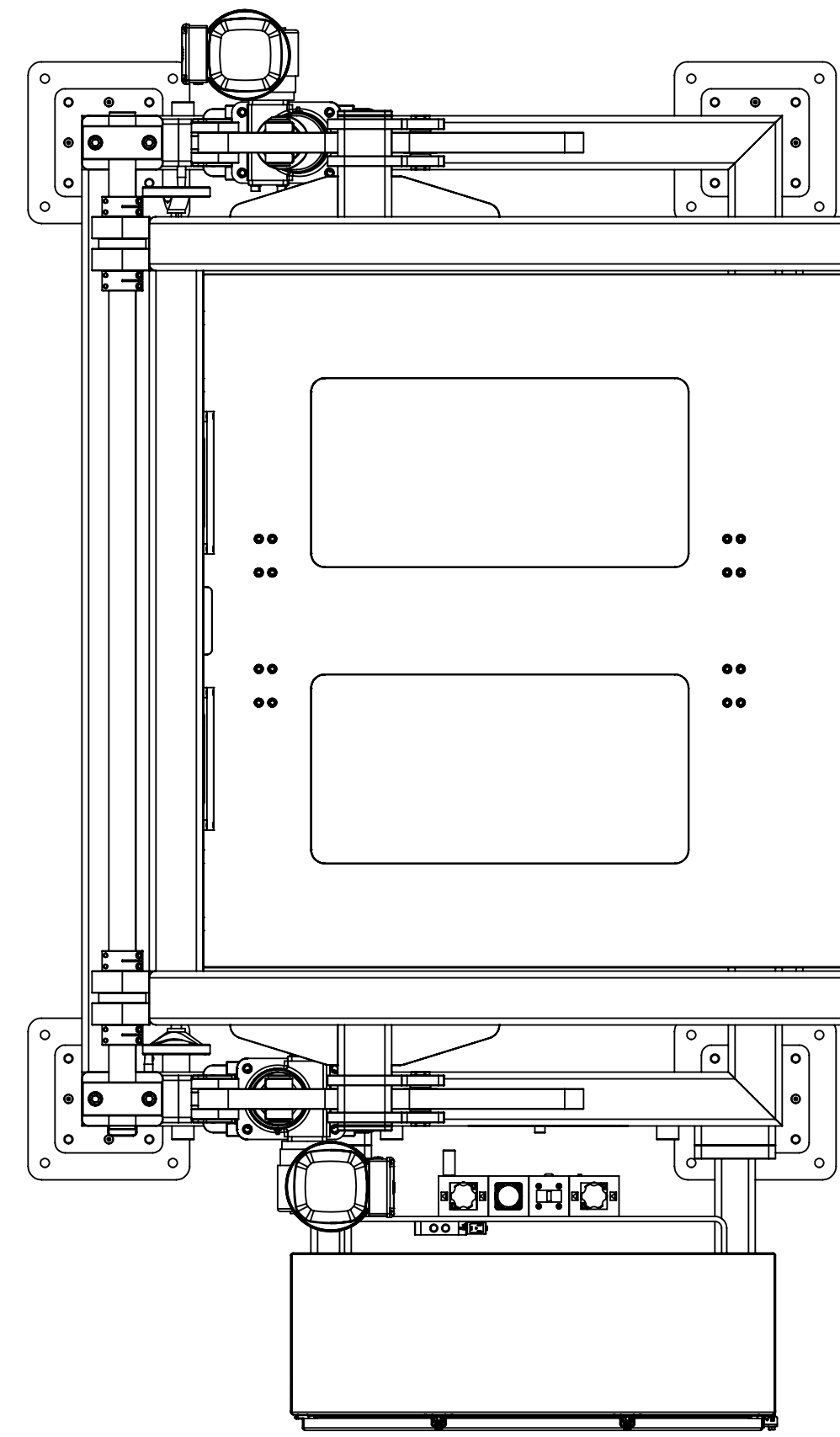


PROJECT QTY
TOTAL QTY



UNLESS OTHERWISE SPECIFIED DRAWING IS IN INCHES AND TOLERANCES ARE BELOW		DESC:		A	
.X: ±.030 .XX: ±.015 .XXX: ±.005 ANGULAR: ±1°		PACKAGING SYSTEMS PRODUCT TRANSFER MACHINERY			
DRAWN BY: JMA		MATERIAL: 304 STAINLESS STEEL			
DATE DRAWN: 06-26-2017	SHEET: 1 OF 1	SCALE:	DRAWING NUMBER: MULTI-BIN EASY FILL	SIZE: D	REVISION: